



Canopy


Installation Instructions



- 1. CHECK FOR CORRECT SIZE AND APPLICATION OF THE CANOPY:**
The *CANOPY* comes in two boxes, one for the base, and one for the roof. Each of these boxes is marked with the model number, and the roof box is also marked with the roof style and application.

Size: The model number will look like 60-6/0-18. In the example, this means that the *Canopy* angle is 60°, it is designed to fit over a six-foot patio door or entryway unit, and has a projection of 18" from the wall.

Base Finish: The finish on the *Canopy* is extremely durable & low maintenance. It can be painted, if so desired. Consult your local paint professional for suggestions on paint type and preparation.

Style: The roof carton will be marked as containing a *Classic, Contempo, Contempo 612*, or  *DecoRoof*. It will also be marked with the metal the roof is made of. The *Canopy* base will fit any of these roof styles.

Application: If the *Canopy* ordered is to be mounted to brick or masonry, it will be marked as such on the roof box. Otherwise, it is standard. Generally, the brick counterflashings are packaged in with the roof unit.

If you don't have the proper model or style of *Canopy*, call your dealer before going any further.

Note: The *Canopy* base must be fully installed to the wall before the canopy roof can be mounted. It is not possible to mount the roof to the base before installing the base to the wall.

- 2. ATTACH THE SUPPORT BRACKETS TO THE BASE UNIT:** Attach the square tube turnbuckle supports to the canopy base using the screws provided and the pre-drilled holes in the *Canopy* base unit. Ensure that the supports are not fully closed or fully open.
- 3. POSITION THE BASE UNIT AGAINST THE WALL:** Using temporary supports, place the base unit against the wall. When mounted above a patio door, the wall plate usually rests on the doorframe. Level the unit and fasten the wall plate to the wall using the screws provided through the upper part of the wall plate (that's the part that will be concealed when the roof is installed). On masonry installations, you will have to use masonry anchors (not provided).

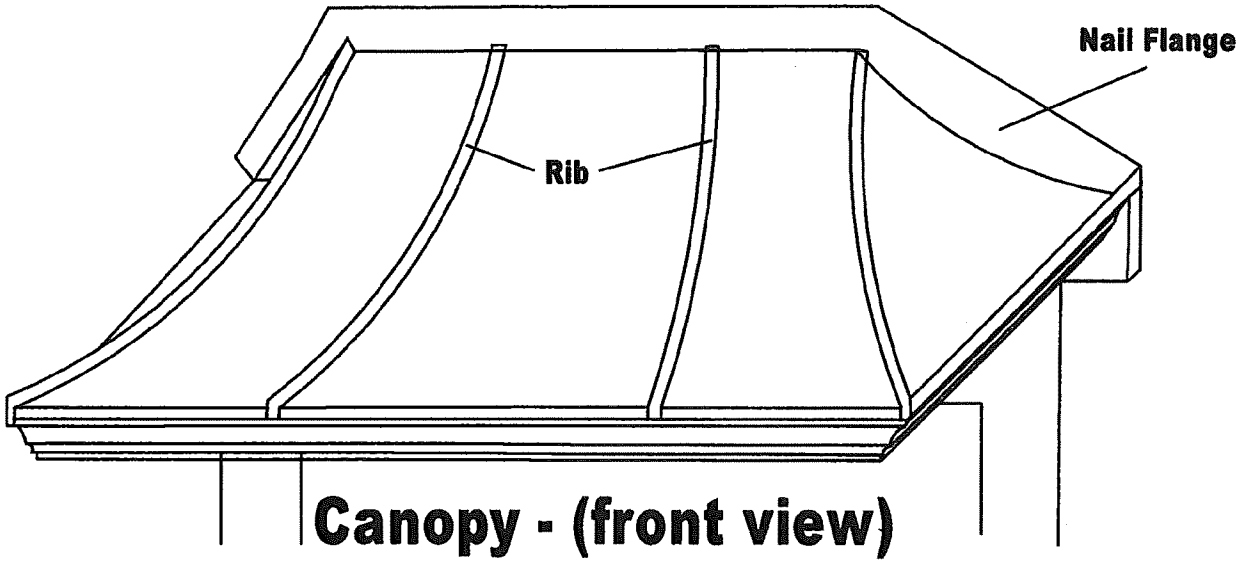
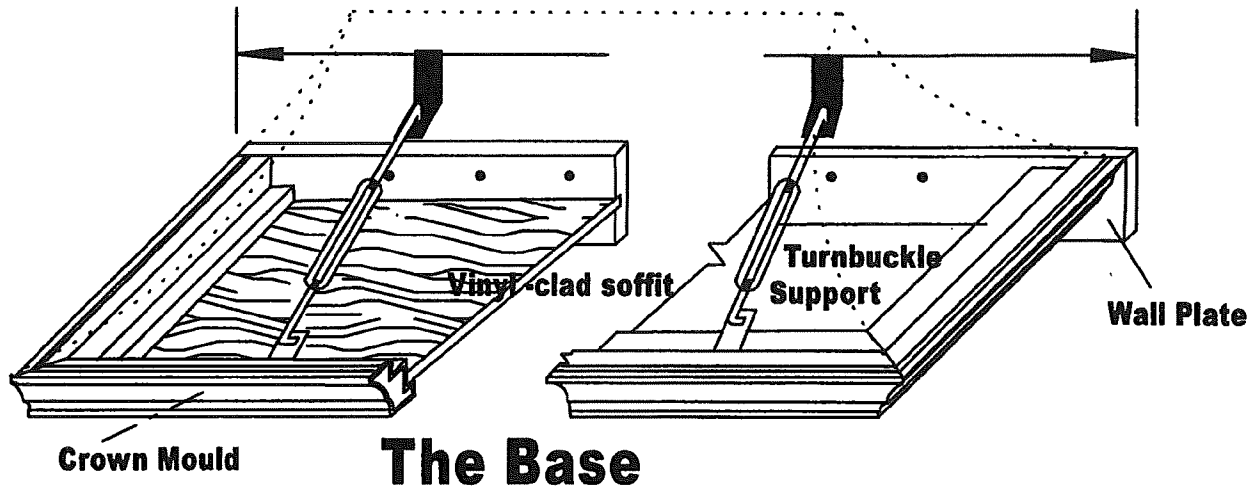
4. **ATTACH THE TURNBUCKLE SUPPORTS TO THE WALL:** With the turnbuckle supports set at a middle position (neither fully open or fully closed), attach the wall bracket to the wall, using the screws provided. Again, masonry installations will use masonry anchors (not provided).
5. **LEVEL THE CANOPY BASE:** Level the *Canopy* base so that it is level front-to-back and side-to-side. Tighten or loosen the turnbuckles to make the necessary adjustments.
6. **INSTALL THE CANOPY ROOF:** Install the *Canopy* roof according to the instructions provided in the roof carton. Each of the four styles has a different installation procedure.

Please note that there are no “Vinyl Mounting Strips” or “fascia covers” for the Canopy. The mounting strips are replaced by the serrated groove on the top of the crown mold base and require no fascia covers. Simply apply a bead of silicone in the serrated groove before installing the roof and then continue to follow the assembly instructions for your DecoRoof, and ignore the steps for installing the mounting strips and fascia. These parts are for bay and bow window installations only.

Call us at (800) 326-5355 if you have any problems with installation!!

Thank you for your order!

The Canopy by DecoRoof



Canopy - (side view)

